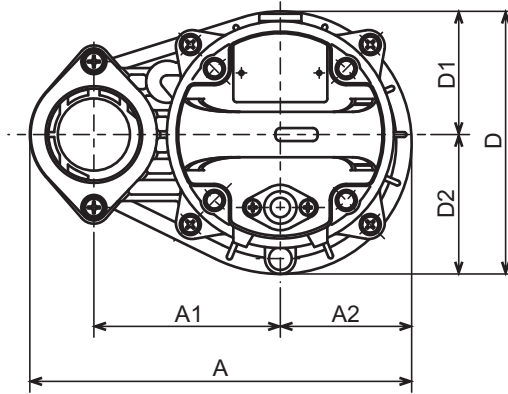


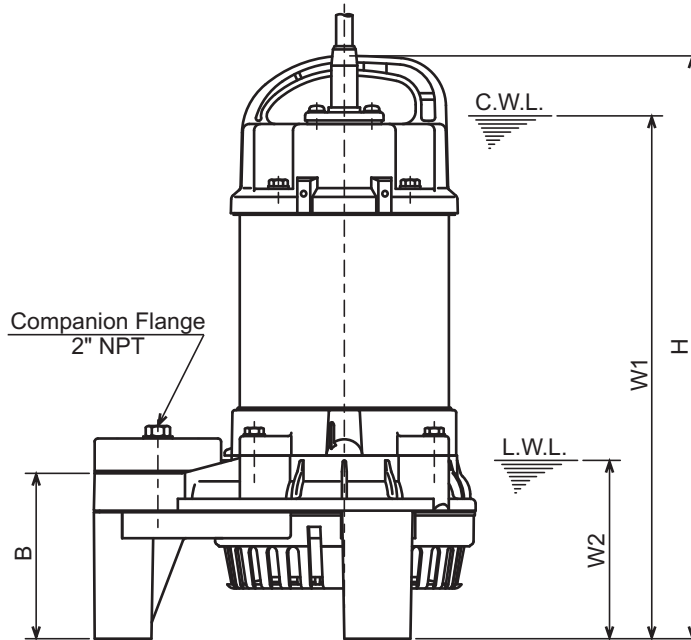


VANCS-SERIES - PSF
(FRP) EFFLUENT PUMPS

DIMENSIONS



- 50PSF2.25S-62
- 50PSF2.25-62
- 50PSF2.4S-62
- 50PSF2.4-62
- 50PSF2.75S-62
- 50PSF2.75-62



C.W.L. :Continuous running Water Level
L.W.L. :Lowest running Water Level

DIMENSIONS:USCS (Inch)

Model	HP	NOM. SIZE	Pump & Motor								C.W.L. W1	L.W.L. W2	Wt. (lbs.)
			A	A1	A2	B	D	D1	D2	H			
50PSF2.25S-62	1/3	2"	9 5/16	4 1/2	3 3/16	4	6 3/8	3	3 3/8	14 3/16	12 3/4	4 3/8	15.9
50PSF2.25-62	1/3	2"	9 5/16	4 1/2	3 3/16	4	6 3/8	3	3 3/8	13 3/4	12 1/4	4 3/8	13.7
50PSF2.4S-62	1/2	2"	9 5/16	4 1/2	3 3/16	4	6 3/8	3	3 3/8	14 3/16	12 3/4	4 3/8	15.9
50PSF2.4-62	1/2	2"	9 5/16	4 1/2	3 3/16	4	6 3/8	3	3 3/8	14 3/16	12 3/4	4 3/8	15.6
50PSF2.75S-62	1	2"	9 5/16	4 1/2	3 3/16	4	6 3/8	3	3 3/8	14 15/16	13 5/8	4 3/8	19.8
50PSF2.75-62	1	2"	9 5/16	4 1/2	3 3/16	4	6 3/8	3	3 3/8	14 3/4	13 3/8	4 3/8	18.5

DIMENSIONS:METRIC (mm)

Model	kW	NOM. SIZE	Pump & Motor								C.W.L. W1	L.W.L. W2	Wt. (kg)
			A	A1	A2	B	D	D1	D2	H			
50PSF2.25S-62	0.25	50	236	115	81	102	162	76	86	360	325	110	7.2
50PSF2.25-62	0.25	50	236	115	81	102	162	76	86	349	310	110	6.2
50PSF2.4S-62	0.40	50	236	115	81	102	162	76	86	360	325	110	7.2
50PSF2.4-62	0.40	50	236	115	81	102	162	76	86	360	325	110	7.1
50PSF2.75S-62	0.75	50	236	115	81	102	162	76	86	380	345	110	9.0
50PSF2.75-62	0.75	50	236	115	81	102	162	76	86	374	340	110	8.4

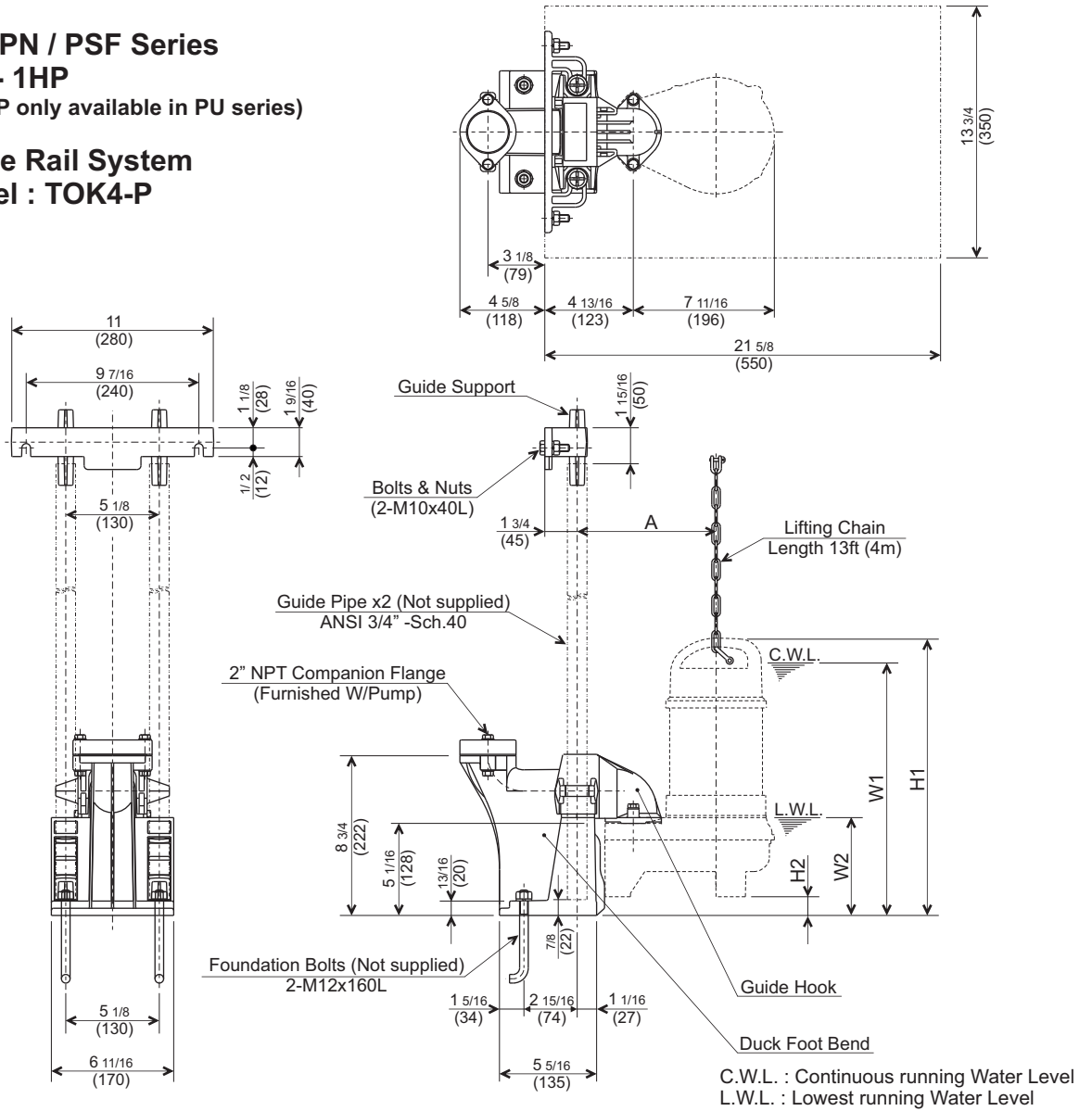


VANCS-SERIES - PU / PN / PSF WITH TOK GUIDE RAIL SYSTEM

DIMENSIONS

PU / PN / PSF Series
***1/5 - 1HP**
 (*1/5HP only available in PU series)

Guide Rail System
Model : TOK4-P



PU SERIES	Model	OUTPUT HP (kW)	NOM. SIZE inch (mm)	Dimension inch (mm)					Wt. lbs. (kg)
				H1	H2	C.W.L.		A	
						W1	W2		
	TOK50PU2.15S-64	1/5 (0.15)	2 (50)	16 1/8 (409)	1 1/4 (32)	14 5/8 (370)	5 3/8 (135)	7 3/8 (188)	14.3 (6.5)
	TOK50PU2.25S-63	1/3 (0.25)	2 (50)	15 3/16 (386)	1 (26)	13 3/4 (350)	5 3/8 (135)	7 5/8 (193)	16.5 (7.5)
	TOK50PU2.25-63	1/3 (0.25)	2 (50)	14 3/4 (375)	1 (26)	13 1/4 (335)	5 3/8 (135)	7 5/8 (193)	14.3 (6.5)
	TOK50PU2.4S-63	1/2 (0.4)	2 (50)	15 3/16 (386)	1 (26)	13 3/4 (350)	5 3/8 (135)	7 5/8 (193)	16.5 (7.5)
	TOK50PU2.4-63	1/2 (0.4)	2 (50)	15 3/16 (386)	1 (26)	13 3/4 (350)	5 3/8 (135)	7 5/8 (193)	16.3 (7.4)
	TOK50PU2.75S-63	1 (0.75)	2 (50)	16 (406)	1 (26)	14 5/8 (370)	5 3/8 (135)	7 5/8 (193)	20.5 (9.3)
	TOK50PU2.75-63	1 (0.75)	2 (50)	15 3/4 (400)	1 (26)	14 1/4 (360)	5 3/8 (135)	7 5/8 (193)	19.2 (8.7)

PN SERIES	Model	OUTPUT HP (kW)	NOM. SIZE inch (mm)	Dimension inch (mm)					Wt. lbs. (kg)
				H1	H2	C.W.L.		A	
						W1	W2		
	TOK50PN2.25S-63	1/3 (0.25)	2 (50)	15 3/16 (386)	1 (26)	13 3/4 (350)	5 3/8 (135)	7 5/8 (193)	16.5 (7.5)
	TOK50PN2.25-63	1/3 (0.25)	2 (50)	14 3/4 (375)	1 (26)	13 1/4 (335)	5 3/8 (135)	7 5/8 (193)	14.3 (6.5)
	TOK50PN2.4S-63	1/2 (0.4)	2 (50)	15 3/16 (386)	1 (26)	13 3/4 (350)	5 3/8 (135)	7 5/8 (193)	16.5 (7.5)
	TOK50PN2.4-63	1/2 (0.4)	2 (50)	15 3/16 (386)	1 (26)	13 3/4 (350)	5 3/8 (135)	7 5/8 (193)	16.3 (7.4)
	TOK50PN2.75S-63	1 (0.75)	2 (50)	16 (406)	1 (26)	14 5/8 (370)	5 3/8 (135)	7 5/8 (193)	20.5 (9.3)
	TOK50PN2.75-63	1 (0.75)	2 (50)	15 3/4 (400)	1 (26)	14 1/4 (360)	5 3/8 (135)	7 5/8 (193)	19.2 (8.7)

PSF SERIES	Model	OUTPUT HP (kW)	NOM. SIZE inch (mm)	Dimension inch (mm)					Wt. lbs. (kg)
				H1	H2	C.W.L.		A	
						W1	W2		
	TOK50PSF2.25S-63	1/3 (0.25)	2 (50)	15 3/16 (386)	1 (26)	13 3/4 (350)	5 3/8 (135)	7 5/8 (193)	17.0 (7.7)
	TOK50PSF2.25-63	1/3 (0.25)	2 (50)	14 3/4 (375)	1 (26)	13 1/4 (335)	5 3/8 (135)	7 5/8 (193)	14.6 (6.6)
	TOK50PSF2.4S-63	1/2 (0.4)	2 (50)	15 3/16 (386)	1 (26)	13 3/4 (350)	5 3/8 (135)	7 5/8 (193)	17.0 (7.7)
	TOK50PSF2.4-63	1/2 (0.4)	2 (50)	15 3/16 (386)	1 (26)	13 3/4 (350)	5 3/8 (135)	7 5/8 (193)	16.5 (7.5)
	TOK50PSF2.75S-63	1 (0.75)	2 (50)	16 (406)	1 (26)	14 5/8 (370)	5 3/8 (135)	7 5/8 (193)	20.7 (9.4)
	TOK50PSF2.75-63	1 (0.75)	2 (50)	15 3/4 (400)	1 (26)	14 1/4 (360)	5 3/8 (135)	7 5/8 (193)	19.4 (8.8)

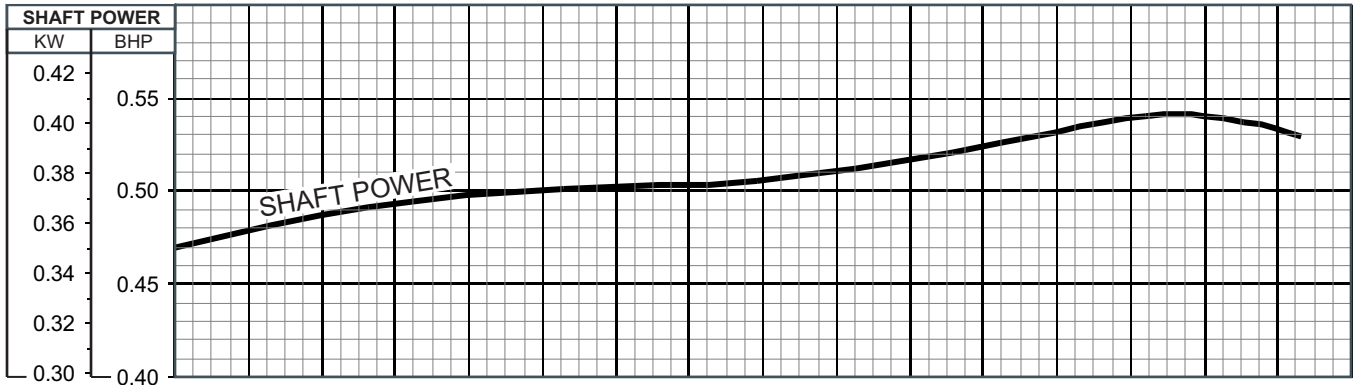
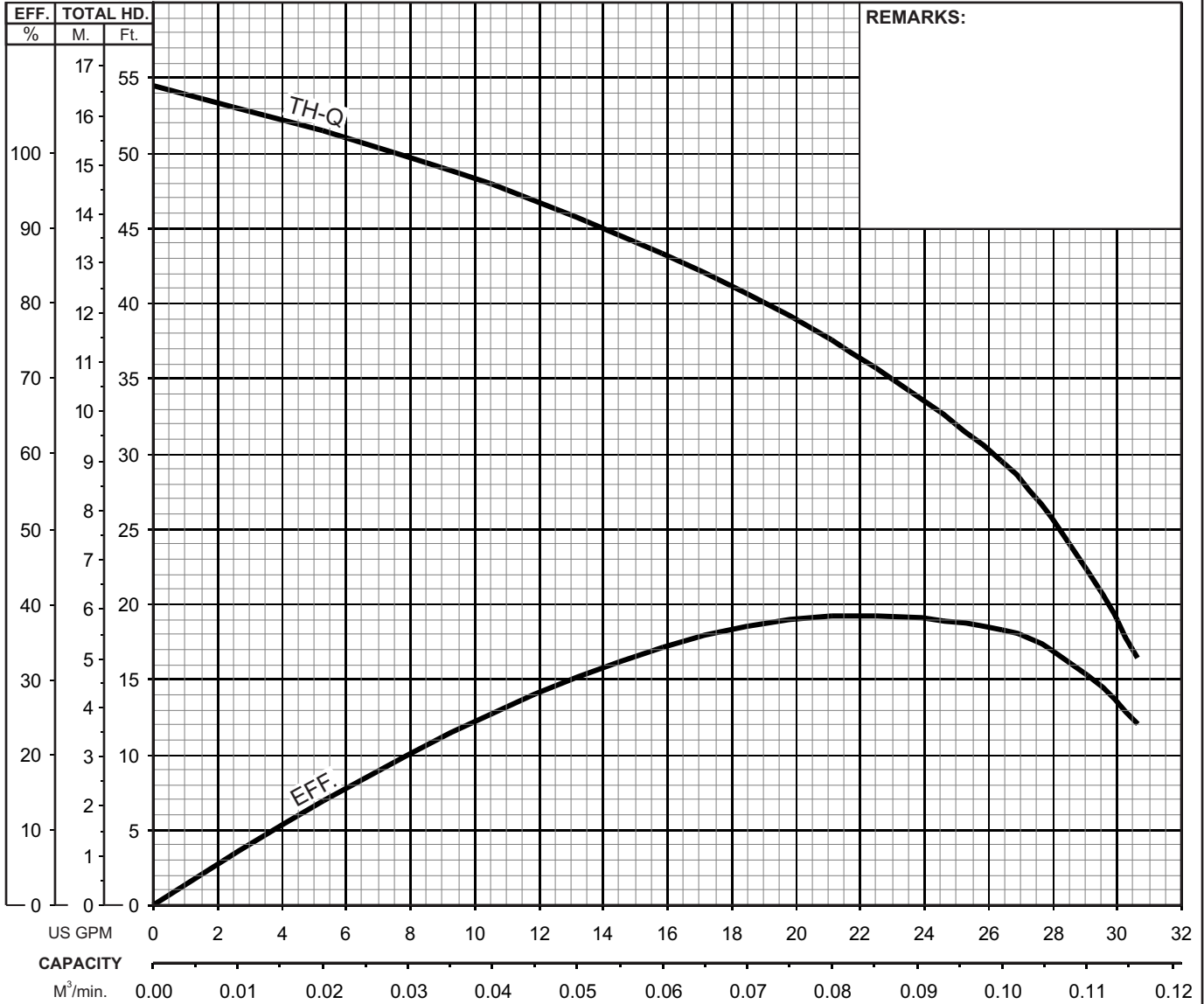
C.W.L. : Continuous running Water Level
 L.W.L. : Lowest running Water Level



VANCS - SERIES - PSF (FRP) EFFLUENT PUMPS

PERFORMANCE CURVE

MODEL	BORE	HP	KW	RPM	SOLIDS DIA	LIQUID	SG.	VISCOSITY	TEMP.
50PSF(A/W)2.4-62	2" / 50mm	0.54	0.40	3397	0.315" / 8mm	Water	1.0	1.123 cSt.	60°F
PUMP TYPE	PHASE	VOLTAGE	AMPERAGE	HZ	STARTING METHOD	INS. CLASS			
Effluent Pump	3	230 / 460	1.9 / 1.0	60	Direct On Line	E			
CURVE No.	DATE	PHASE	VOLTAGE	AMPERAGE	HZ	STARTING METHOD	INS. CLASS		
-	-	-	-	-	-	-	-		

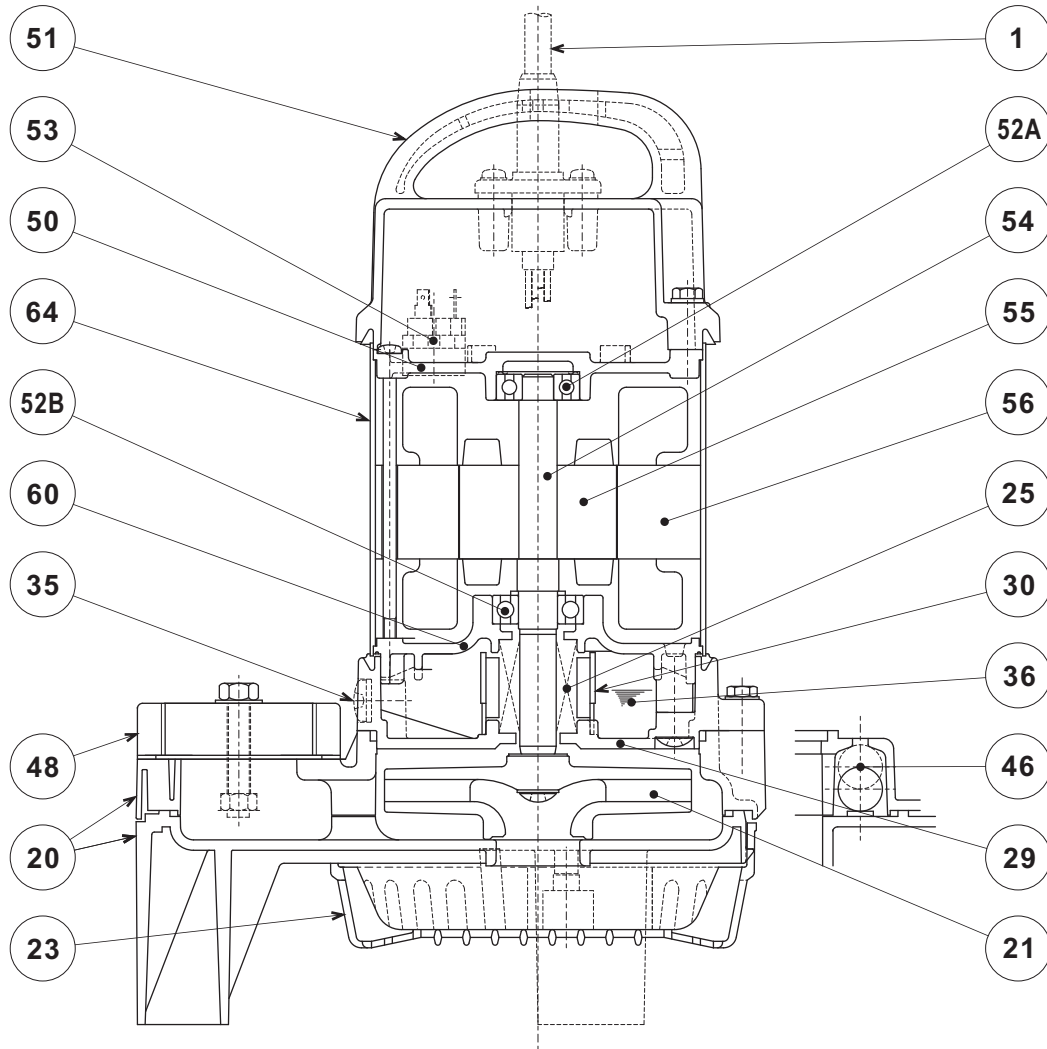




VANCS - SERIES - PSF
(FRP) EFFLUENT PUMPS

SECTIONAL VIEW

50PSF2.25-62
50PSF2.4-62



PART#	DESCRIPTION	MAIN MATERIAL / NOTE	RELATED ASTM, AISI CODE	RELATED EN CODE	QTY
1	Power Cable	PVC Sheath AWG16/4-32ft			1
20	Pump Casing	ABS Plastic w/GF20			1
21	Impeller	PPO Plastic w/GF20			1
23	Suction Strainer	ABS Plastic			1
25	Mechanical Seal	Silicon Carbide / W-14HL			1
29	Oil Casing	PPS Plastic w/GF40			1
30	Oil Lifter	PBT Plastic			1
35	Oil Plug	Stainless Steel	S 30400	1.4301	1
36	Lubricant	White Mineral Oil ISO VG32			
46	Air Valve	Glass Ball			1
48	Companion Flange	PBT Plastic w/GF30 / NPT 2"			1
50	Motor Bracket	Aluminum Alloy Die Casting	B85 383.0	EN 1706 AC-46100	1
51	Motor Head Cover	PPS Plastic w/GF40			1
52A	Upper Bearing	#6201ZZC3			1
52B	Lower Bearing	#6202ZZC3			1
53	Motor Protector				1
54	Shaft	Stainless Steel	S 30400	1.4301	1
55	Rotor				1
56	Stator				1
60	Bearing Housing	Aluminum Alloy Die Casting	B85 383.0	EN 1706 AC-46100	1
64	Motor Housing	Stainless Steel	S 30400	1.4301	1

PARTS LIST		VANCS WASTEWATER PUMP			2/20/2018	
ITEM	PART No.	DESCRIPTION	QTY	SIZE	MATERIAL	NOTES
1	001-803-20	Cabtyre Cable Set (32') 60Hz(USA)	1	VCT4Cx1.25mm2	LBT	
2	143-000-33	Hex.Tapping Screw	2	M5x20	SUS304	
3	003-190-10	Gland	1		SUS316	
4	143-085-34	Pan Screw (w/Spring Washer)	1	M4x6	C3604	
5	009-001-25	Earth Terminal	1Set	AWG16x170L		
6	051-000-46	Head Cover	1		Resin	
7	140-000-07	Hex.Bolt (w/Plain Washer)	4	M6x30(22L)	SUS304	
8	122-004-18	O-Ring	4	P-6(5.8xd1.9)	NBR	*
9	143-000-04	Pan Screw	4	M5x118(20L)	SWRM	
10	053-446-19	Motor Protector 208/220V-60Hz(USA)	1	KA311-DAVL66	(T)	
	053-354-19	Motor Protector 460V-60Hz(USA)	1	KA311-DPVL74	(T)	
11	143-136-15	Truss Screw	2	M4x10	SWRM	
12	050-000-02	Motor Bracket	1		ADC	
13	121-001-46	Packing	1	d125.7xd134.7x6t	NBR	*
14	000-560-09	Stator(w/M.Frame) 208/220V-60Hz(USA)	1Set			
	056-008-05	Stator(w/M.Frame) 460V-60Hz(USA)	1Set			
15	071-000-01	Collar	1	37L	SECC	
16	142-000-91	Wave Washer	1	6201(D=30.6,t=0.35)	SK5	
17	052-100-15	Bearing	1	6201ZZC3		
18	055-002-86	Rotor	1Set	w/Bearing		
19	061-157-15	Bearing Collar	1	d15.1xd21x1.6t	SPCC	
20	052-101-16	Bearing	1	6202ZZC3		
21	060-001-36	Bearing Housing	1		ADC	
22	025-290-19	Mechanical Seal	1	W-14HL	SSiC	
23	030-000-01	Oil Lifter	1	VANCS2	Resin	
24	121-001-12	Packing	1	VANCS2	NBR	*
25	035-127-15	Oil Plug	1	M10x15	SUS304	
26	121-246-11	Packing	1	d10.3xd16x2t	PE	*
27	140-000-03	Hex.Bolt (w/Spring Washer)	4	M6x25	SUS304	
28	029-000-95	Oil Casing	1	VANCS2	Resin	
29	143-000-26	Truss Screw (w/O-Ring)	4	M6x20(P-5,NBR)	SUS304	
30	142-354-18	Conical Spring Washer	1	d11.2xd22.5x0.8t	SUS304	
31	021G3127	Impeller (60Hz)	1	50PSF2.4-63	Resin	
32	143-140-12	Truss Screw (w/Plain Washer)	1	M6x12	SUS304	
33	122-000-07	O-Ring	1	122xd3.0	NBR	*
34	140-000-09	Hex.Bolt (w/Spring Washer)	2	M8x45	SUS304	
35	048-274-18	Screwed Flange	1	NPT-2(P.C.90)	Resin	
36	121-469-12	Packing	1	P.C.90xd58x2t	NR	*
37	020-000-06	Pump Casing	1	(40/50)PN/PSF2.25/.4/.75	Resin	

* Indicates items included in set

PARTS LIST		VANCS WASTEWATER PUMP				2/20/2018
ITEM	PART No.	DESCRIPTION	QTY	SIZE	MATERIAL	NOTES
38	023-000-02	Strainer	1	(40/50)PSF(A)(W)2. 25/.4/.75	Resin	
39	143-000-10	Truss Tapping Screw	2	M4x18	SUS304	
	173-003-14	Packing O-Ring Set	1Set	(Marked by *)		
8	122-004-18	O-Ring (Head Cover Fixing Bolt)	4	P-6(5.8xd1.9)	NBR	*
13	121-001-46	Packing (Head Cover/M.Frame)	1	d125.7xd134.7x6t	NBR	*
24	121-001-12	Packing (M.Frame/O.Casing)	1	VANCS2	NBR	*
26	121-246-11	Packing (Oil Plug)	1	d10.3xd16x2t	PE	*
29	122-003-17	O-Ring (P.Casing Fixing Screw)	4	P-5(4.8xd1.9)	NBR	*
33	122-000-07	O-Ring (O.Casing/P.Casing)	1	122xd3.0	NBR	*
36	121-469-12	Packing (Screwed Flange)	1	P.C.90xd58x2t	NR	*
		Lubricant		Liquid Paraffin VG32 240ml		

PARTS LIST		VANCS WASTEWATER PUMP			2/20/2018	
ITEM	PART No.	DESCRIPTION	QTY	SIZE	MATERIAL	NOTES

EXPLODED VIEW

50PSF2.25-52/62 50PSF2.25-53/63
 50PSF2.4-52/62 50PSF2.4-53/63
 50PSF2.75-52/62 50PSF2.75-53/63

